

Installation Instructions

Double Hung Windows

Tools Required for Installation: Ruler, Screwdriver
Metal Frame Window - Drill with 1/8 or 9/64 Drill Bit

Parts Included: 2 Side Posts, 1 Telescoping Grid, 1 Hardware Pack (4 screws, 4 plastic end caps, instruction booklet)

Please review the instructions, warnings, and safety notes prior to installing guard.
For technical assistance, contact Automatic Specialties, Inc. at 1-800-445-2370.

Installing inside window frame

1. Be sure telescoping grid is snapped securely into side posts.
2. Position full assembly inside window frame. Mount side post with Guardian Angel logo on left side of window.
Note: Leave enough space between the guard and window so that normal operation of window is not restricted. **Be sure there is no more than a 4 inch opening anywhere in the guarded area.**

3. Fasten guard to window frame using the 4 screws provided. Keep the guard level from one side to the other. Screws should be fastened into a solid stud or frame to achieve maximum safety. **Note:** Steel framed windows, pre-drill with a 9/64 drill bit. Aluminum framed windows, pre-drill with a 1/8 drill bit.

4. After installation, test guard for proper quick-release operation. The window guard can be quickly removed using the 2 or 4 emergency release buttons (depending on style). See removal instructions.
5. Re-insert bars into side posts after removing. Hold bars so that silver-colored emergency release labels are facing you. Place bars into the holes of one of the posts while pressing emergency release button(s) on that end. Press emergency release button(s) on remaining end and slide bars into the holes. (If the bars do not fit into the holes, you may be putting the wrong end into the post). Pull on unit to be sure it is locked into both posts securely.

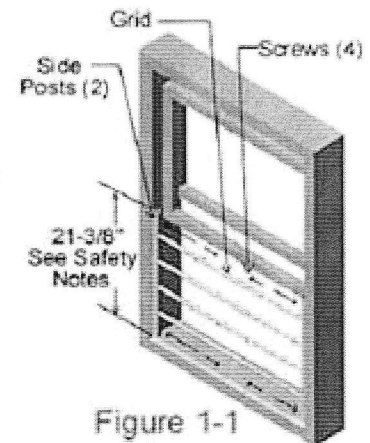


Figure 1-1

Installing outside window frame

Note: Install outside window frame when guard will not fit inside frame and allow normal window operation. Follow above instructions with guard mounted outside of window frame (on wooden trim or wall).

Safety Notes

- Before installation, verify building and fire codes are not being violated. Contact local building code department or fire department for specific codes.
- Screws should be anchored firmly into a solid stud or frame material to achieve maximum safety.
- This window guard is intended to protect against potential window falls by children age 5 & under.
- If necessary, use window stops to prevent the window from opening above the top of side posts (21 3/8"). An arrow on the left side post indicates this height. Window stops are available at many hardware and online stores.
- Parents, child-care custodians, and older children must understand the operation of this window guard in case of an emergency.
- Window guards are designed to be a deterrent to accidental window falls. This product is not intended as a substitute for proper adult supervision.
- Guardian Angel Window Guards are not meant to protect against intruders.

⚠️ WARNING

Possible Fall Hazard

Young children may fall out of the window if the window guard is not installed correctly.

- Check to be sure there are no openings in the guarded area more than 4 inches wide.

Young children may fall out of the window if all installation instructions are not followed:

- Use recommended materials and techniques.
- Make sure window guard is securely attached to the window frame.
- Make sure the window frame is in good condition.