

# KID SAFE DRIVEWAY GUARD

## IMPORTANT NOTICE:

This Driveway Guard is **NOT** intended to be used as a pool barrier

## INSTALLATION AND USE INSTRUCTIONS

1. Determine placement of Driveway Guard across your driveway.
2. Using hammer and block of wood, pound **first** ground sleeve into the ground a few inches from edge of driveway. Due to difference in soil types, it may be necessary to dig out hole with hand shovel first and refill dirt around ground sleeve. Do the same with the **second** ground sleeve on the opposite side of driveway.  
**It is very important that ground sleeves be installed straight up and down and flush with ground level to allow proper retraction of driveway guard.**
3. Insert Driveway Guard unit into first ground sleeve.
4. Slowly, pull out pole and net. Extend across driveway and insert pole with net into second ground sleeve.
5. To retract, lift end of net with pole out of the ground sleeve, slide net down pole close to the bottom of pole, and **slowly** retract. This will ensure that net is evenly aligned and less likely to fold over while being retracted into unit. **Net must be held straight as unit retracts (see Fig. 1).** If net becomes folded when retracting, pull net out slowly until straight again and retract slowly. (Net has been designed to retract slowly as a safety feature).
6. Store retracted unit with pole for next use. Leave ground sleeves in place in ground. (No need to remove and re-insert!). Ensure that ground sleeves are flush with ground level so they will not interfere with mowing grass.

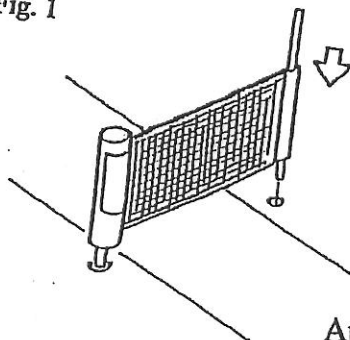
### Please remember:

This product has been designed only as a visual barrier.

It is not intended to be a physical barrier to hold children.

Adult supervision is always required when young children play near road!

Fig. 1



- Slide net down towards bottom of pole before retracting
- Net must be held straight as unit retracts
- **DO NOT REMOVE CAP!**

Any questions or comments?

Please call our Customer Service Dept. at 1-800-845-9236!