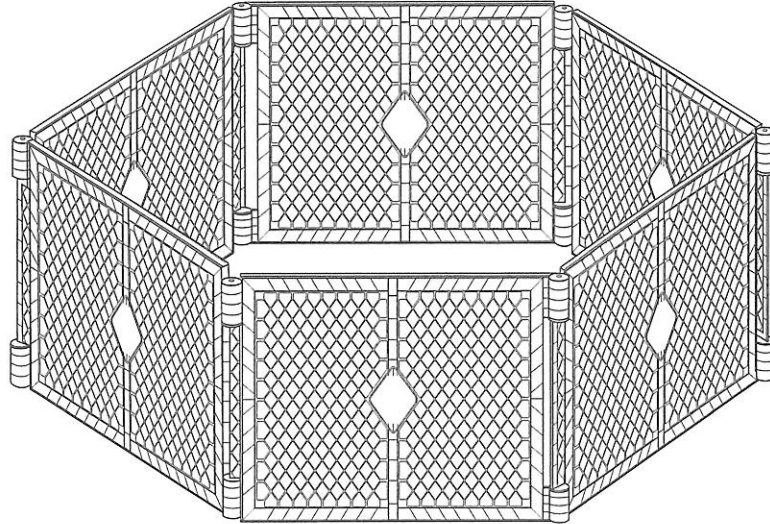
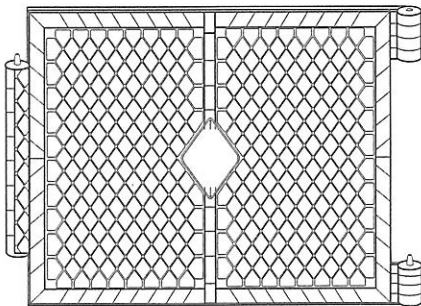


Superyard XT

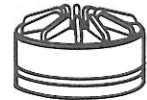


Model 8666

PA



PART NO.	DESCRIPTION
PA (6 per unit)	Panel Assembly
XT1 (6 per unit)	Plunger
XT2 (6 per unit)	Spring
XT3 (6 per unit)	Blue Carpet Foot
XT4 (6 per unit)	Screw—#8 x 1 1/2
XT5 (1 per unit)	Carrying Strap
EX 8662	Extension Kit

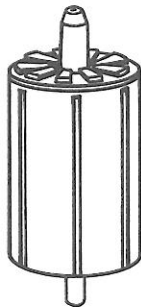


XT3

XT4

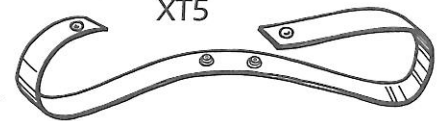


XT1



NUM. DE PIEZA	DESCRIPCION
PA (6 por unidad)	Ensamblaje de paneles
XT1 (6 por unidad)	Embolo
XT2 (6 por unidad)	Resorte
XT3 (6 por unidad)	Pata de alfombra azul
XT4 (6 por unidad)	Tornillo núm 8 x 1 1/2
XT5 (1 por unidad)	Tira de transporte
EX 8662	Juego de extensión

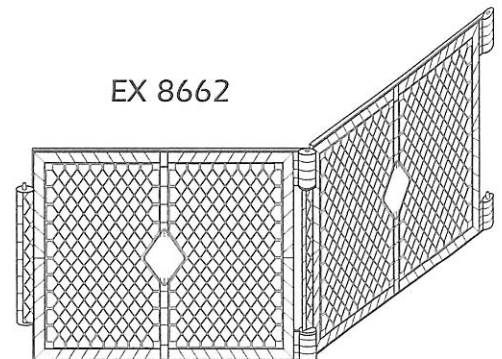
XT5



XT2

NO DE PIÈCE	DESCRIPTION
PA (6 par unité)	Panneau de montage
XT1 (6 par unité)	Tige de montage
XT2 (6 par unité)	Ressort
XT3 (6 par unité)	Base bleue de tapis
XT4 (6 par unité)	Vis #8 x 1 1/2
XT5 (1 par unité)	Courroie de transport
EX 8662	Trousse d'extension

EX 8662



Accessory Item (not included)

Thank you for purchasing our Superyard XT. Your Superyard is a second-generation product that represents years of engineering and product improvements, many of which were recommended by customers such as yourself.

Please take a few minutes to read and follow the instructions and warning statements. In so doing, your Superyard should provide you with years of safe, reliable service.

Should you have any questions or concerns regarding the installation or use of this product, please call or write. We will be happy to assist you in any way we can.



Peter Runyon, President

INSTRUCTIONS

Your Superyard is completely assembled at our factory. To make an enclosure, unsnap the carrying strap, and unfold the panels to create a hexagon shape (figure 1).

When done unfolding the panels, the two unconnected panels will be oriented as shown in figure 2. Make sure that the blue carpet "foot" is up. To connect the panels together, lift up on panel 1 and set opening "A" over pin "B" (figure 3). Locate the slot on the lower end of cylinder "D". This slot tapers to an opening that pin "C" fits into. To fit pin "C" into this opening, gently press down on panel 1 and align pin "C" with the end of the slot in the cylinder "D". While maintaining downward pressure on panel 1, lift slightly on panel 2 and slide pin "C" along the slot and into the opening (figure 4).

TO OPEN ENCLOSURE

To disconnect two adjoining panels, select one of the three corners where the blue carpet "foot" is facing up. Gently press down on panel 1, and while lifting up on panel 2, slide pin "C" clear of cylinder "D". Then, lift on panel 1 until opening "A" has cleared pin "B".

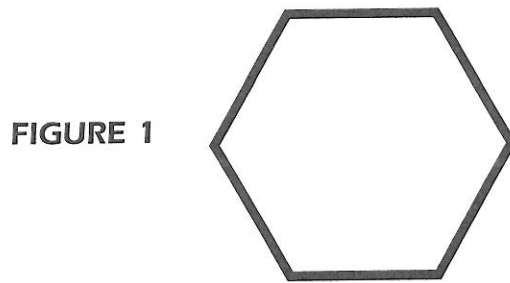


FIGURE 1

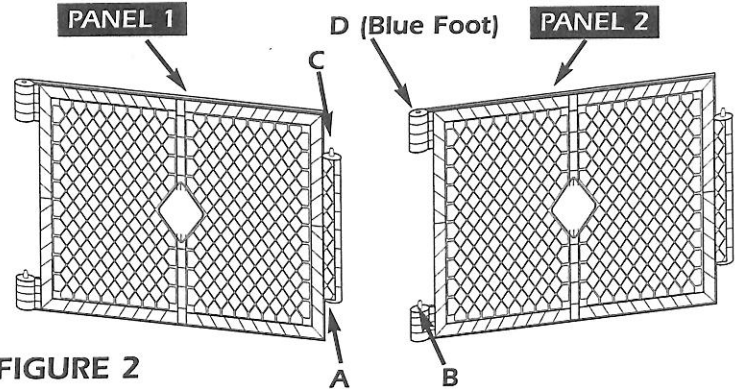


FIGURE 2

FIGURE 3

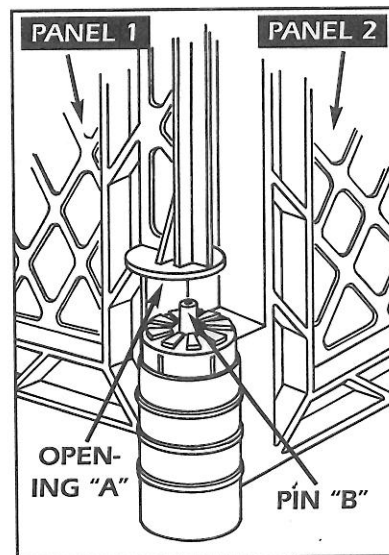
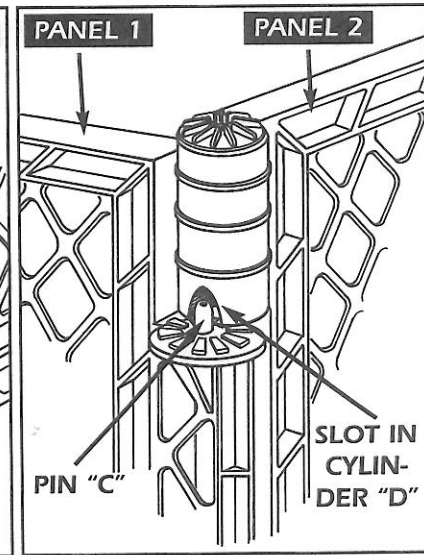
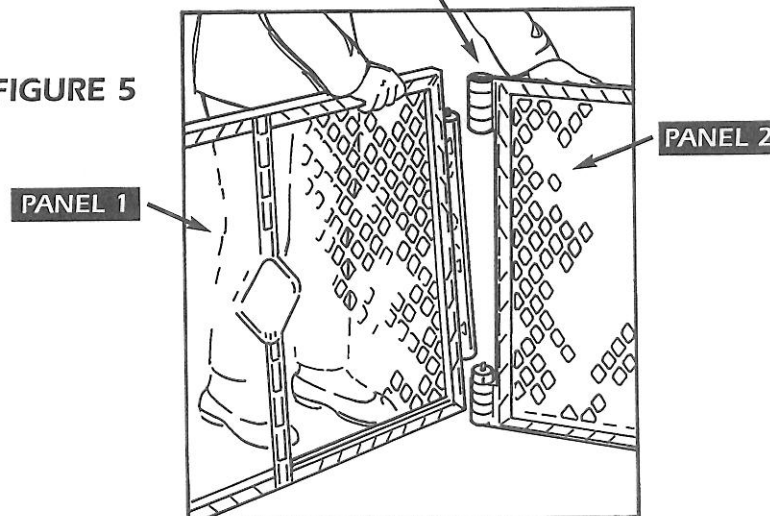


FIGURE 4



BLUE CARPET "FOOT"

FIGURE 5



FOLDING AND STORAGE

Your enclosure is designed to fold compactly. However, it must be folded in sequence. Starting at one panel, fold to next panel making sure that you fold it the correct direction as shown (see figure 6).

REPLACING A PANEL

A broken panel can easily be replaced. Just unlatch and remove broken panel (see instructions for opening enclosure).

YOUR ENCLOSURE AS A BARRIER

Your enclosure does not have the strength to resist pressure if used in a "straight" position. Be sure that it is not positioned in a straight line. Make sure that each panel is at an angle to the adjoining panel (figure 7).

CLEANING INSTRUCTIONS

Your enclosure is made from durable weather-resistant plastic panels. To clean, wash with a mild detergent, rinse with clean water and allow to dry thoroughly.

EXTENSION KIT

A two-panel extension kit, Model No. 8662, is available from your dealer or from the factory. The kit contains two panels which allow you to increase the size of your enclosure from 18.5 square feet up to 34.4 square feet.

FIGURE 6

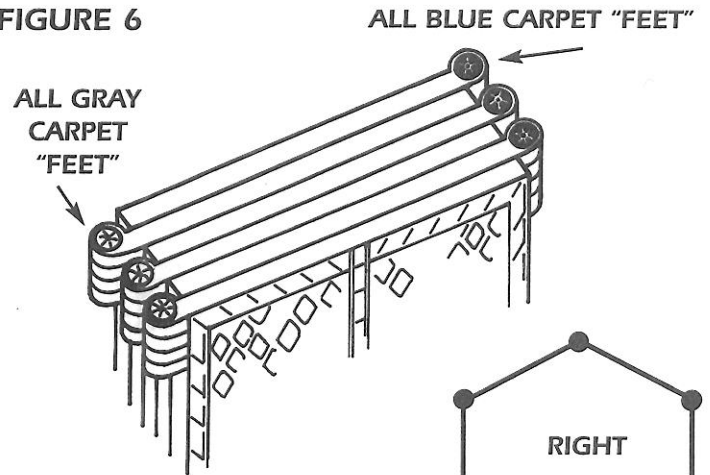
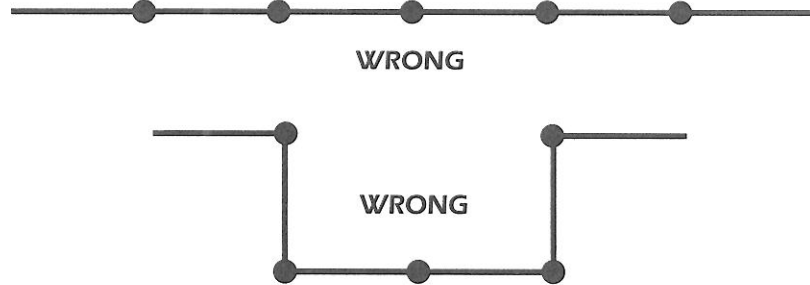


FIGURE 7



WARNING

- TO PREVENT SERIOUS INJURY OR DEATH, SECURELY INSTALL ENCLOSURE AND USE ACCORDING TO MANUFACTURER'S INSTRUCTIONS.
- NEVER USE WITH A CHILD ABLE TO CLIMB OVER OR DISLODGE/OPEN THE ENCLOSURE.
- THIS PRODUCT WILL NOT NECESSARILY PREVENT ALL ACCIDENTS.
- **NEVER LEAVE CHILD UNATTENDED.**
- USE ONLY WITH THE LOCKING/LATCHING MECHANISM SECURELY ENGAGED.
- THIS PRODUCT INTENDED FOR USE WITH CHILDREN FROM 6 MONTHS UP TO 24 MONTHS OF AGE.
- DO NOT USE THIS PRODUCT ON A SMOOTH SLIPPERY SURFACE, AS CHILD MAY BE ABLE TO PUSH THE ENCLOSURE TO AN UNSAFE AREA.
- DO NOT ATTEMPT TO USE THIS ENCLOSURE IN TEMPERATURES LESS THAN 40 DEGREES F, OR DAMAGE MAY RESULT.
- DO NOT USE AS A BARRIER FOR STAIRWAYS, STOVES OR HEATERS.
- STOP USING ENCLOSURE IF ANY PARTS ARE MISSING OR BECOME DAMAGED.
- PERIODICALLY CHECK ALL FASTENERS TO BE SURE THEY ARE TIGHT AND SECURE.
- DO NOT USE ON UNEVEN SURFACES.
- DO NOT CONNECT MORE THAN 8 PANELS IN ONE ENCLOSURE.